

Service Data

Vickers®

# Vane Pumps

---

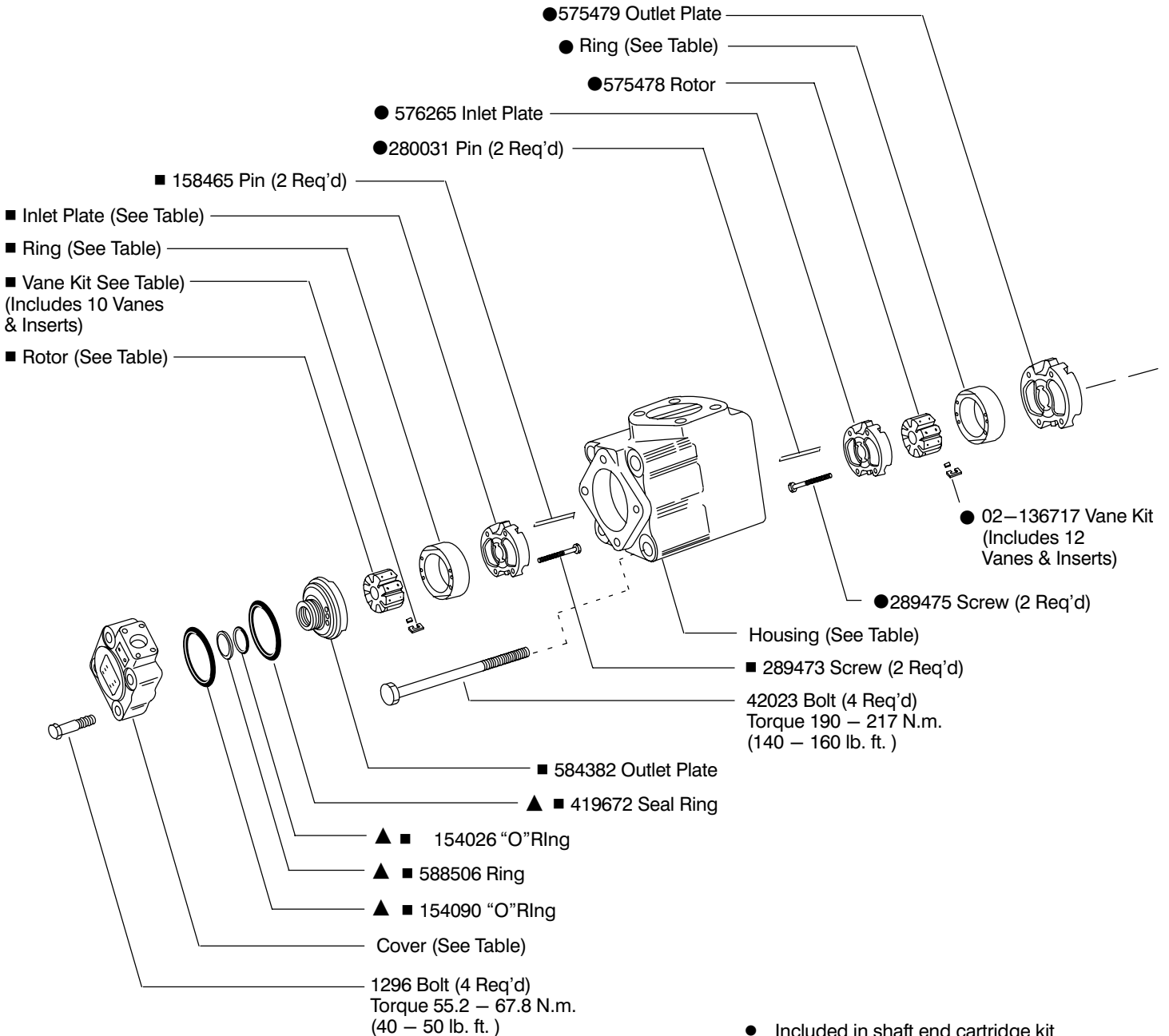


## Vane Type Double Pump

(F3)–3520V(M)–\*\*A(M)\*\*(F)–\*\*–22–\*

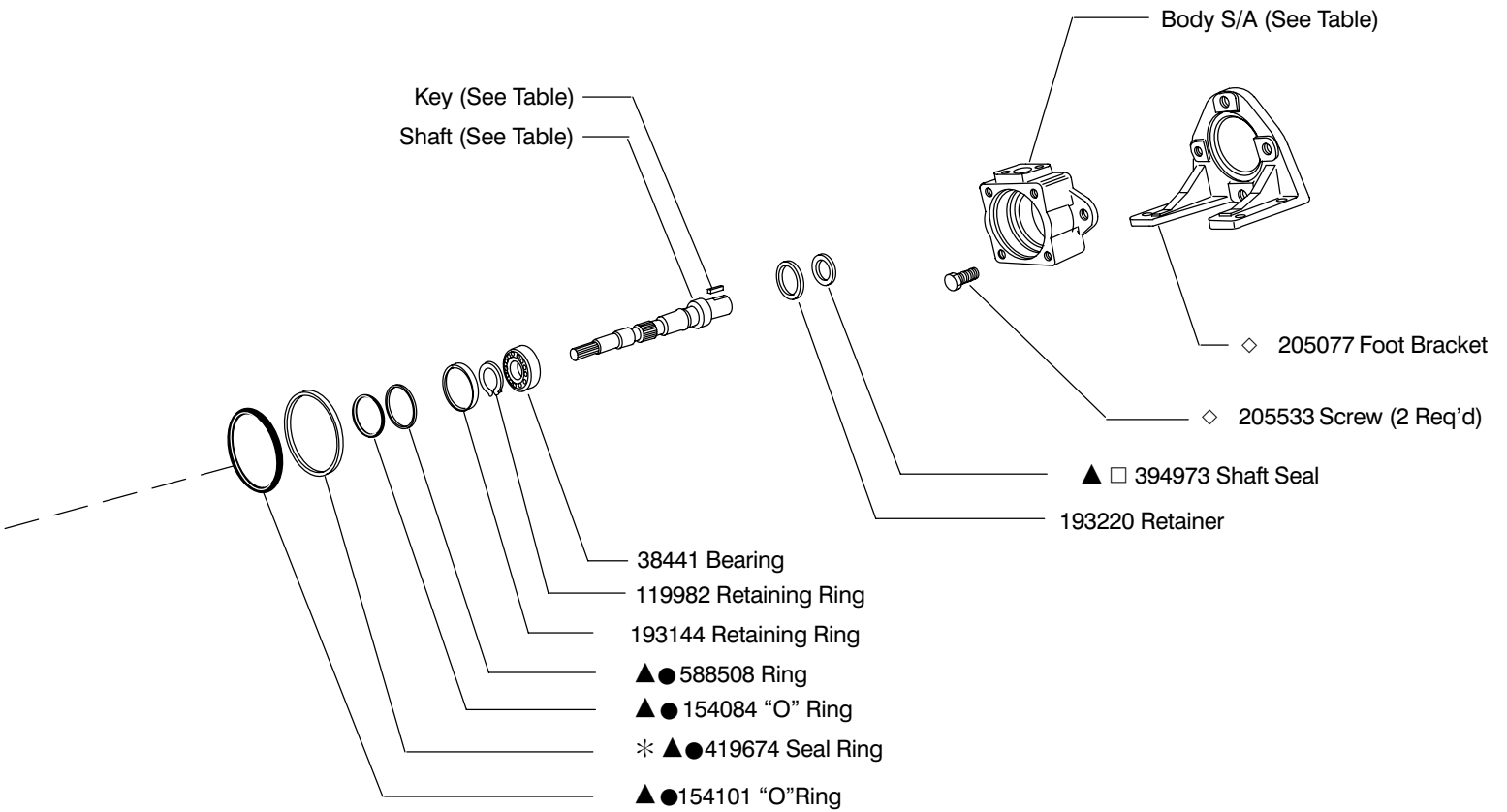


MODEL	■ ROTOR	■ VANE KIT	■ RING	■ INLET PLATE	Cover End ■ CART. KIT	Cover End ■ F3 CART. KIT
3520V***2	402690	02-136720	388683	584383	02-102506	02-102512
3520V***5			333624		02-102507	02-102513
3520V***8			333625		02-102508	02-102514
3520V***11	403539	02-136721	333626	584384	02-102509	02-102515
3520V***12			353901		02-102510	02-102516
3520V***14			353902		02-102511	02-102517



- Included in shaft end cartridge kit
- Included in cover end cartridge kit
- ▲ Included in seal kit 922859  
F3 equivalent seal kit 919304
- ◇ Included in foot bracket kit FB-C-10
- Assemble seal with spring loaded sealing member towards bearing. Seals to be completely wetted with oil prior to assembly.
- \* Install 419674 sealing ring into body, then install cartridge kit.

MODEL	● RING	Shaft End ● CART KIT	Shaft End ● F3 CART KIT
3520V25	576210	02-102552	02-102560
3520V30	576212	02-102553	02-102561
3520V35	576214	02-102554	02-102562
3520V38	575476	02-102555	02-102563

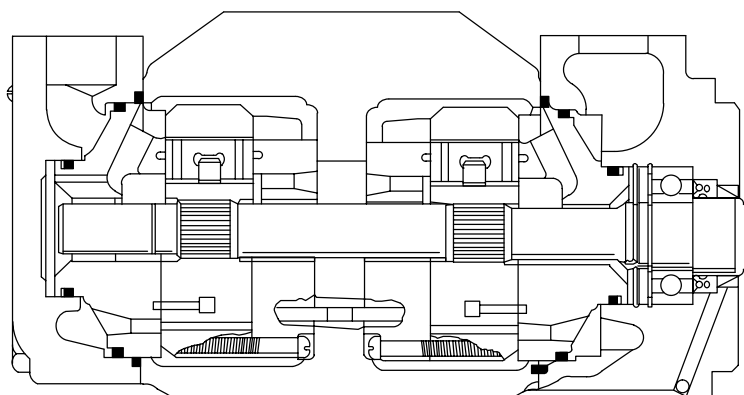


MODEL	COVER	HOUSING	BODY S/A
3520V**A	250824	250818	942355
3520V**E	252504		942355
3520VM**A	478510	478506	02-136921
3520VM**AM			02-136922

SHAFT	TYPE	KEY
258249	(1) keyed	88678
258250	(11) splined	—
394517	(86) keyed	393536
860097	(192N) keyed	472287

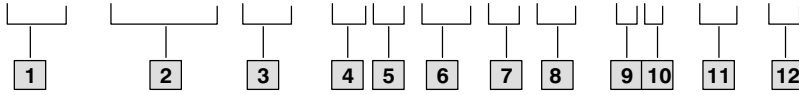
**NOTE:**

For satisfactory service life of these components in industrial applications, use full flow filtration to provide fluid which meets ISO cleanliness code 16/13 or cleaner. OFP, OFR, and OFRS series filters are recommended.



# Model Code

**(F3) - 3520V (M) - \*\* A (M) \*\* (F) - \* \* - 22 - \***



## 1 Special seals

## 2 Series designation

Displacements  $\text{cm}^3/\text{r}$  ( $\text{in}^3/\text{r}$ )

Model	Shaft end	Cover end
3520V	81 – 121 (4.94–7.37)	18 – 45 (1.1 – 2.22)

## 3 Pilot designation

**M** – Metric per ISO 3019/2 100A2HW  
**Omit** – Standard pilot

## 4 Geometric displacement

Shaft end pump

(Rated capacity (USgpm) at 1200 rpm, 6.9 bar (100 psi))

Frame size	Code	$\text{cm}^3/\text{r}$	$\text{in}^3/\text{r}$
3520V	25	81	4.94
	30	97	5.91
	35	112	6.83
	38	121	7.37

## 5 Port connections

**A** – SAE 4 bolt flange

## 6 Port connection modifier

**M** – Metric port connection (4 bolt flange)  
**Omit** – Inch thread port connection (4 bolt flange)

## 7 Geometric displacement

Cover end pump

(Rated capacity (USgpm) at 1200 rpm, 6.9 bar (100 psi))

Frame size	Code	$\text{cm}^3/\text{r}$	$\text{in}^3/\text{r}$
3520V	2	6.5	0.40
	5	18	1.10
	8	27	1.67
	11	36	2.22
	12	40	2.47
	14	45	2.78

## 8 Mounting

**F** – Foot mounting  
**Omit** – Flange mounting

## 9 Shaft

**1** – Straight keyed  
**11** – Splined  
**86** – Heavy duty straight keyed  
**192N** – Straight keyed (M pilot only)

## 10 Port orientation

(Viewed from cover end of pump)

With no. 1 outlet opposite inlet

**AA** – No. 2 outlet 135° CCW from inlet  
**AB** – No. 2 outlet 45° CCW from inlet  
**AC** – No. 2 outlet 45° CW from inlet  
**AD** – No. 2 outlet 135° CW from inlet

With no. 1 outlet 90° CCW from inlet

**BA** – No. 2 outlet 135° CCW from inlet  
**BB** – No. 2 outlet 45° CCW from inlet  
**BC** – No. 2 outlet 45° CW from inlet  
**BD** – No. 2 outlet 135° CW from inlet

With no. 1 outlet inline with inlet

**CA** – No. 2 outlet 135° CCW from inlet  
**CB** – No. 2 outlet 45° CCW from inlet  
**CC** – No. 2 outlet 45° CW from inlet  
**CD** – No. 2 outlet 135° CW from inlet

With no. 1 outlet 90° CW from inlet

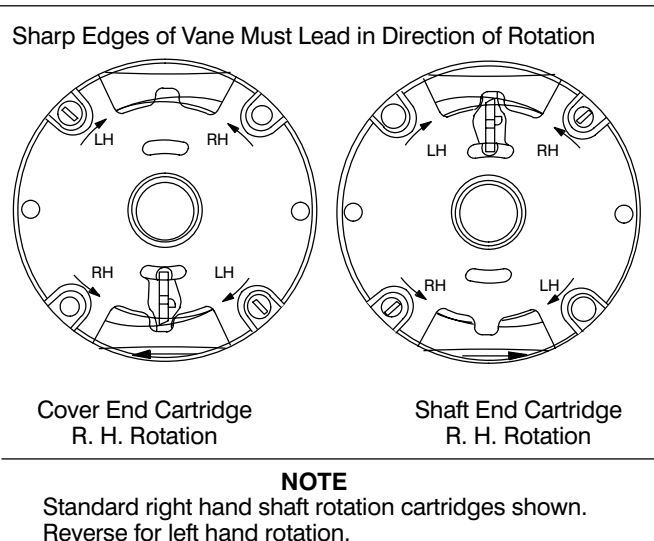
**DA** – No. 2 outlet 135° CCW from inlet  
**DB** – No. 2 outlet 45° CCW from inlet  
**DC** – No. 2 outlet 45° CW from inlet  
**DD** – No. 2 outlet 135° CW from inlet

## 11 Design

## 12 Rotation

(Viewed from shaft end of pump)

**L** – Left hand for counterclockwise  
**R** – Right hand for clockwise



## NOTE

To reverse cartridge kit rotation, remove the two screws and reverse the location of the inlet support plate and the outlet support plate. Reinstall the two screws hand tight. Use pump cover to align all sections of the cartridge. Carefully remove the cover and tighten the screws.

When ordering spare cartridge parts, it is recommended they be obtained in cartridge kits. Kits are assembled and tested for either right or left hand rotation. If left hand rotation is required, it should be specified on parts order by adding suffix "L" to cartridge kit number.